

## WCh-6/1B refrigerated counter



### STANDARD FEATURES

- pivoting front glass
- gravitational or forced circulation cooling
- storage compartment lined with stainless sheet
- thermostat with automatic defrost and digital display
- ABS sides and hull insulated with eco-friendly polyurethane foam
- display lighting with a white fluorescent lamp
- night cover
- built-in refrigerating unit
- top aluminium handout shelf

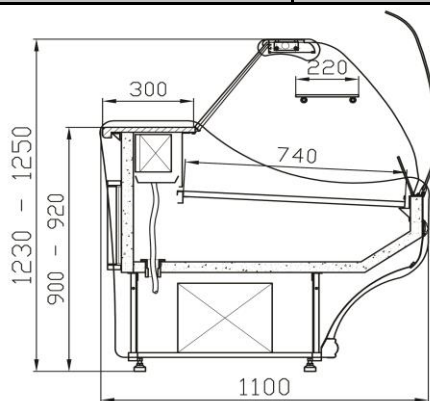
### OPTIONAL FEATURES

- working top made of granite or stainless sheet
- a separator and a shelf in the display compartment
- a movable separator
- lighting of the front panel
- a lower shelf for customer use
- fluorescent lamp for meat display

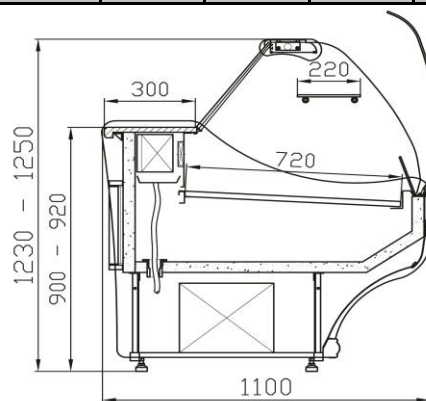
## Cross section and measurements

## Technical data

| Length                               | mm             | 1040   | 1200 | 1570 | 1800 | 2000 | 2530 | 3060 |
|--------------------------------------|----------------|--|------|------|------|------|------|------|
| Width                                | mm             | 1100   |      |      |      |      |      |      |
| Height                               | mm             | 1230 – 1250  |      |      |      |      |      |      |
| Temperature range                    | °C             | from +1 to +7°C in the surround temperature 25°C and relative humidity 60% |      |      |      |      |      |      |
| Refrigerating medium                 | -              | R507   |      |      |      |      |      |      |
| Useful capacity                      | l              | 300  | 350  | 470  | 540  | 600  | 770  | 940  |
| Display space                        | m <sup>2</sup> | 0,7  | 0,81 | 1,09 | 1,26 | 1,41 | 1,79 | 2,18 |
| Nominal voltage                      | V              | 230/50Hz   |      |      |      |      |      |      |
| Nominal power                        | W              | 350  | 370  | 430  | 500  | 600  | 600  | 650  |
| Power consumption                    | kWh/24h        | 4,5  | 5,3  | 6,2  | 7,2  | 8,6  | 8,6  | 9,4  |
| Power consumption per unit of length | W/m            | 450  |      |      |      |      |      |      |
| Weight                               | kg             | 103  | 125  | 160  | 185  | 200  | 244  | 280  |



Chłodzenie grawitacyjna/ gravitation cooling



Chłodzenie z obiegiem wymuszonym/  
forced circulation cooling

**The device serves for short-term storage and display of food previously cooled to its storage temperature**

The colours displayed on the webpage may diverge from reality. Please use a colour scale to select your colour.

We reserve the right to introduce changes without notice.

The present catalogue card is not a trade offer according to the provisions of the Commercial Law.