

WCh-6/1B ASTORIA refrigerated counter



STANDARD FEATURES

- pivoting front glass
- gravitational or forced circulation cooling
- storage compartment lined with stainless sheet
- thermostat with automatic defrost and digital display
- hull insulated with eco-friendly polyurethane foam
- display lighting with a white fluorescent lamp
- external casing made of lacquered veneered MDF plate
- night cover
- built-in refrigerating unit

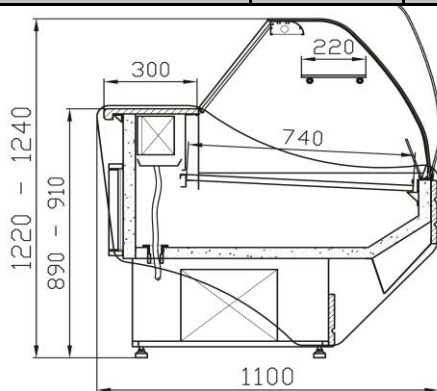
OPTIONAL FEATURES

- working top made of granite or stainless sheet
- a movable separator
- lighting of the front panel
- a lower shelf for customer use
- fluorescent lamp for meat display

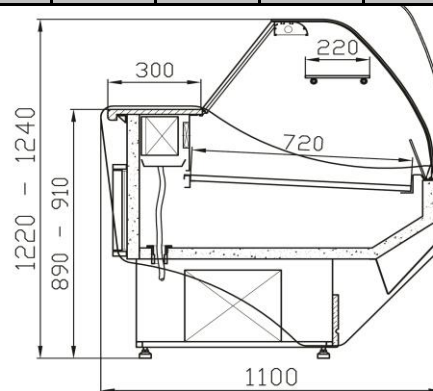
Cross section and measurements

Technical data

Length	mm	1000	1160	1530	1760	1960	2490	3020
Width	mm	1100						
Height	mm	1220 – 1240						
Temperature range	°C	from +1 to +7°C in the surrounding temperature 25°C and relative humidity 60%						
Refrigerating medium	-	R507						
Useful capacity	l	300	350	470	540	600	770	940
Display space	m ²	0,7	0,81	1,09	1,26	1,41	1,79	2,18
Nominal voltage	V	230/50Hz						
Nominal Power	W	350	370	430	500	600	600	650
Power consumption	kWh/24h	4,5	5,3	6,2	7,2	8,6	8,6	9,4
Power consumption per unit of length	W/m	450						
Weight	kg	120	130	160	180	210	250	320



Chłodzenie grawitacyjne/ gravitation cooling



Chłodzenie z obiegiem wymuszonym/ forced circulation cooling

The device serves for short-term storage and display of food previously cooled to its storage temperature

The colours displayed on the webpage may diverge from reality. Please use a colour scale to select your colour.

We reserve the right to introduce changes without notice.

The present catalogue card is not a trade offer according to the provisions of the Commercial Law.