

## WCh-1/CP OLIMPIA for confectionery



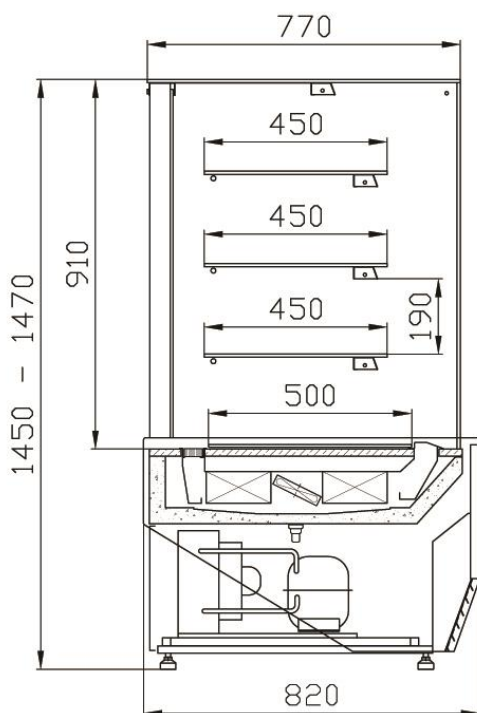
### STANDARD FEATURES

- straight front glass
- forced circulation cooling
- thermostat with automatic defrost and digital display
- hull insulated with eco-friendly polyurethane foam
- external casing made of lacquered veneered MDF plate
- automatic vaporization of the condensate
- lighting of every shelf with LED lamps
- sliding door with a panel of insulated glass
- warm air blowing on the front glass
- built-in refrigerating unit

### OPTIONAL FEATURES

- possibility of tailoring the arrangement to customer needs
- neutral (non-refrigerating) version
- humidity control system

## Cross section and measurements



## Technical data

Lenght	mm	970	1360
Width	mm	820	
Height	mm	1450 - 1470	
Temperature range	°C	from +5°C to +15°C in surround temperature 25°C and relative humidity 60%	
Refrigerating medium	-	R507	
Useful capacity	l	320	450
Display space	m <sup>2</sup>	1,68	2,4
Nominal voltage	V	230/50Hz	
Nominal power	W	780	960
Electrical consumption	kWh/24 h	11,2	13,8
Maximum load of shelves	kg/m	10	
Weight	Kg	185	253

and display of food previously cooled to its storage temperature

diverge from reality. Please use a colour scale to select your colour.

We reserve the right to introduce changes without notice.

The present catalogue card is not a trade offer according to the provisions of the Commercial Law.